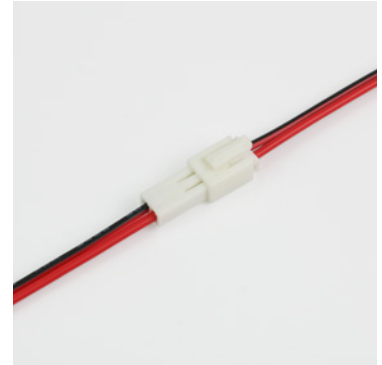


2 Pin IP20 Connectors

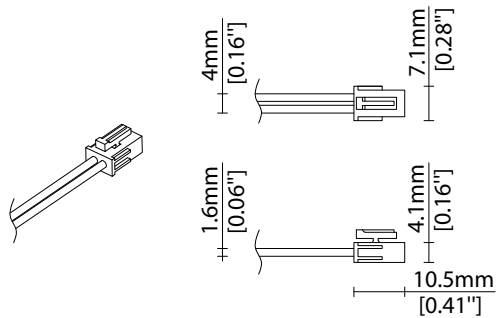
Specification sheet

PRODUCT SPECIFICATION

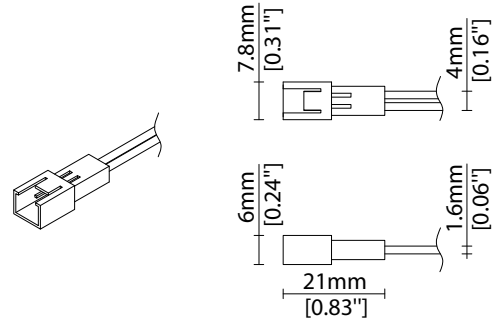
Dimensions	H8/W7.8/L23mm (H0.32/W0.31/L0.91in) (2 pin, male + female connected)
Operating Temp	T _a = -25 to 85°C (-13 to 185°F)
IP Rating	IP20
Finish	White
Shell Materials	Nylon PA66, fire resistance (UL94): V-0
Contact Materials	Brass with phosphor bronze plating
Rated Current	AC/DC 3A
Rated Voltage	AC/DC 250V
Test Voltage	1000V (AC. V/1min)
Contact Resistance	30mΩ
Insulation Resistance	1000MΩ
Applicable Wire	22-28 AWG
Applicable products	FX, GROOVE In, LINI Asymmetric, LINI Blade-H, LINI Blade-S, LINI Glow, LINI Glow XL, LINI-R, LINI-R XL, LINI-S, LINI-S Glow, LINI-S XL, PICO Asymmetric, TANA Asymmetric, TANA Nano, TIA 26, TIA 26 Asymmetric, TIA 26R Asymmetric, TIMI, TIMI Asymmetric, TIMI Cove, TIMI Glow, TIMI Micro, TIMI-C, TIMI-D, TIMI-M, UNI FX



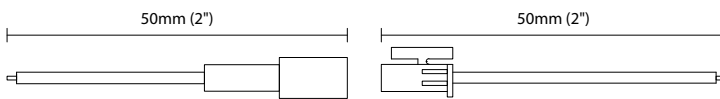
Female



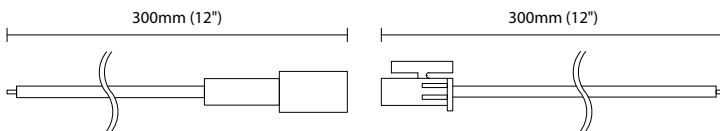
Male



KKCN-01 (50mm pair) 2 PIN male + female connector set



KKCN-03 (300mm pair) 2 PIN male + female connector set



KKCN-06 2 PIN 300mm extension lead

